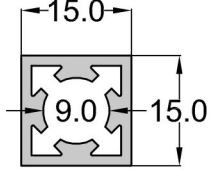
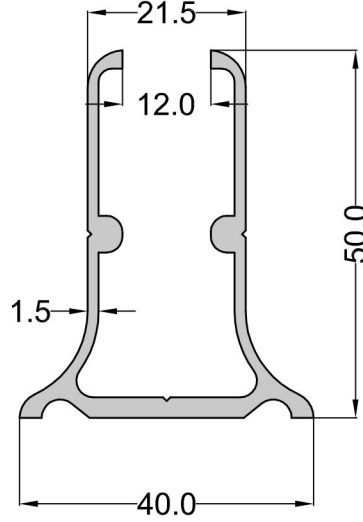


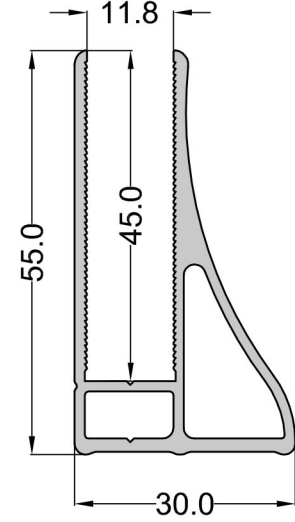
NO :94-2578
0,305 Kg.m.



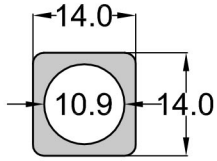
NO :94-2717
0,765 Kg.m.



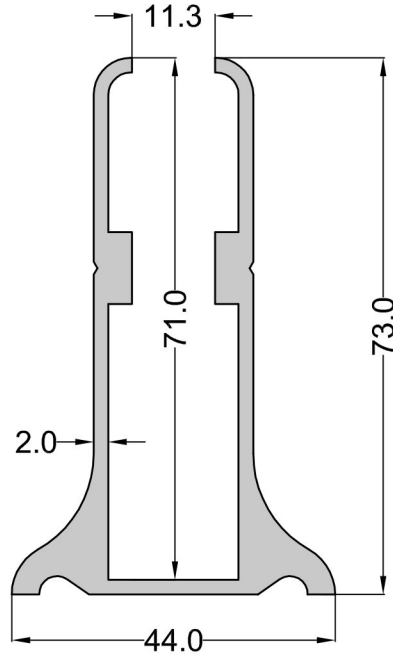
NO :94-2990
0,800 Kg.m.



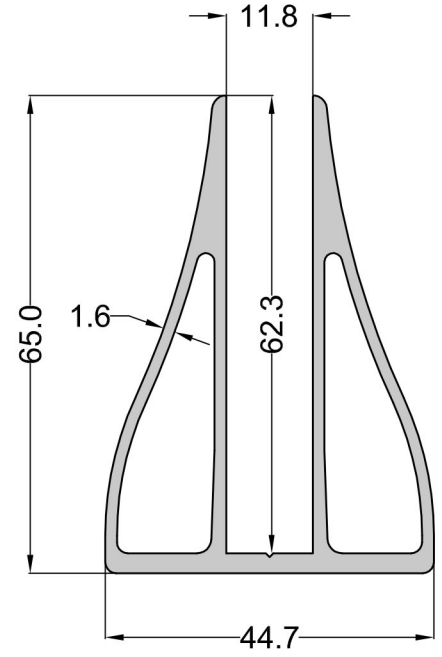
NO :94-2811
0,275 Kg.m.



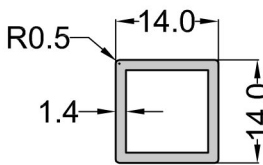
NO :94-2436
1,500 Kg.m.



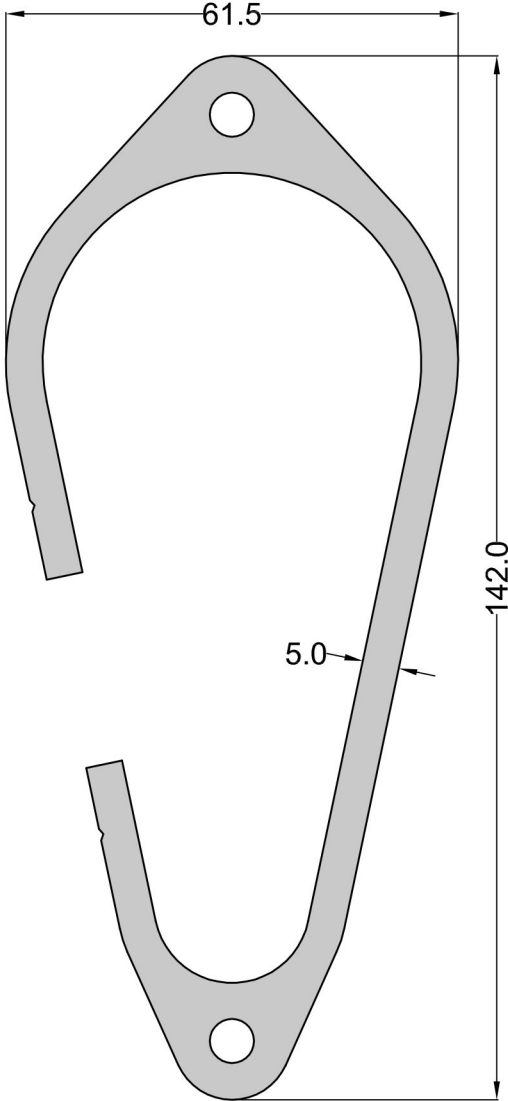
NO :94-2761
1,445 Kg.m.



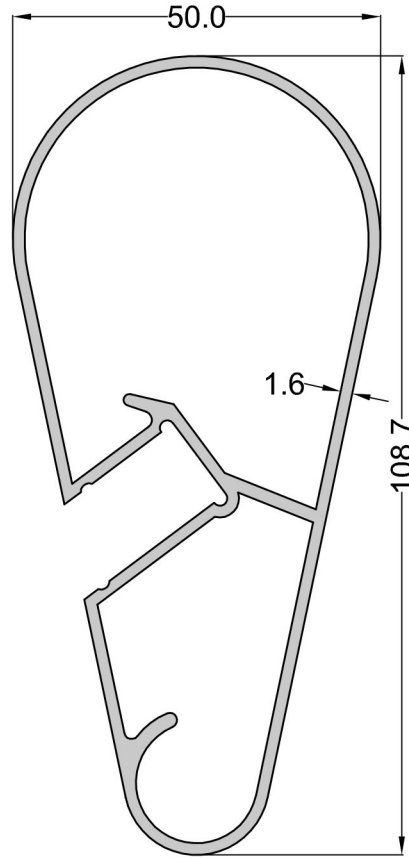
NO :94-3093
0.190 Kg.m.



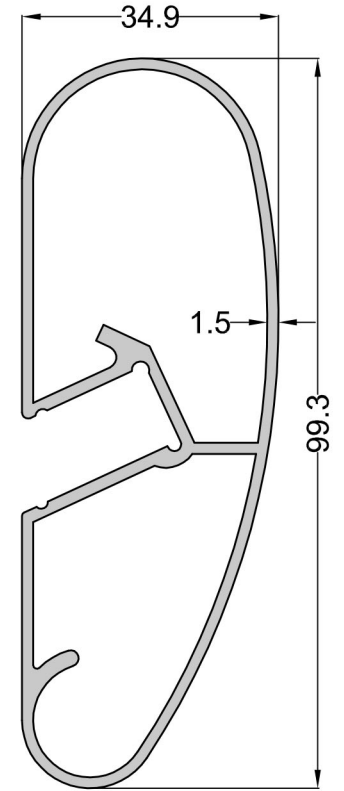
NO :94-2708
4,420 Kg.m.



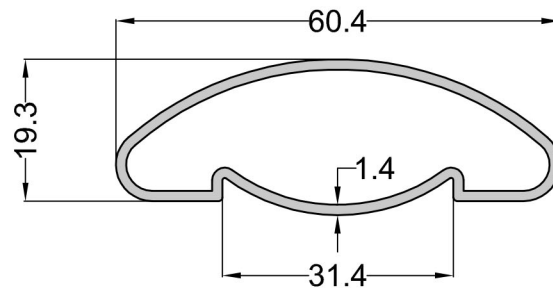
NO :94-2581
1,420 Kg.m.



NO :94-2673
1,240 Kg.m.

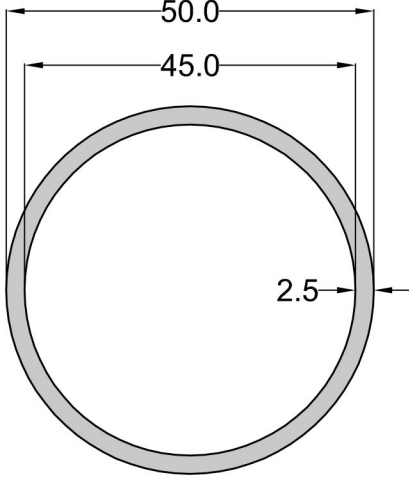


NO :94-2426
0,530 Kg.m.



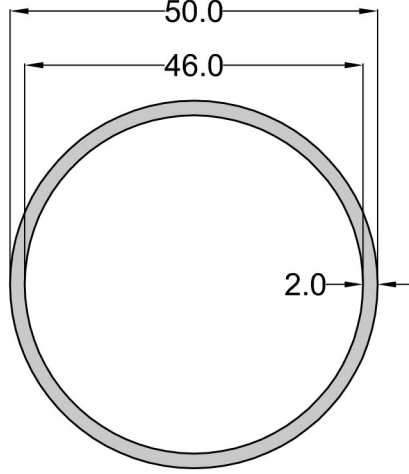
NO : 94-377

1,010 Kg.m.



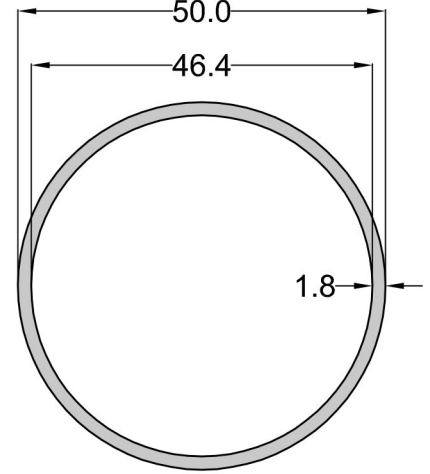
NO : 94-1154

0,810 Kg.m.



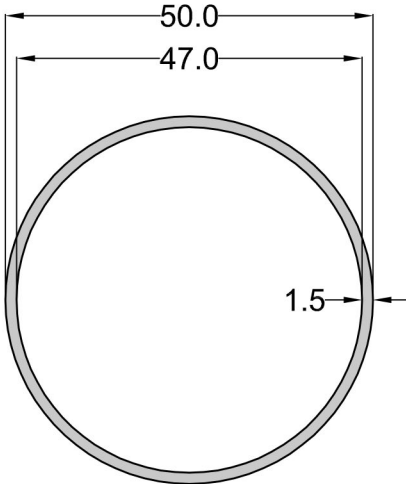
NO :94-2524

0,740 Kg.m.



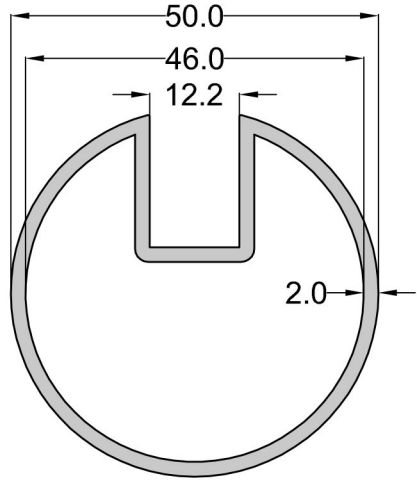
NO :94-1949

0,620 Kg.m.



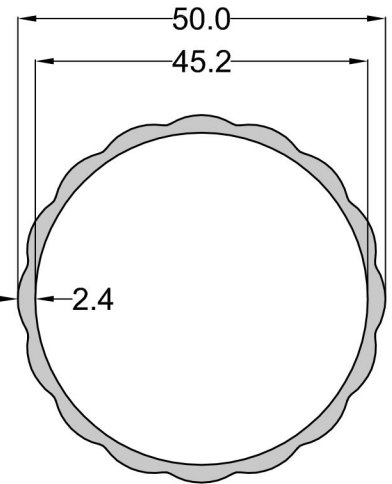
NO :94-2437

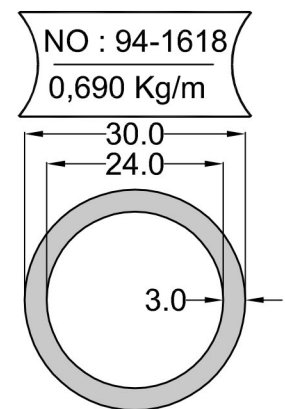
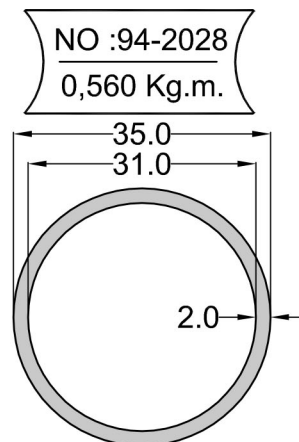
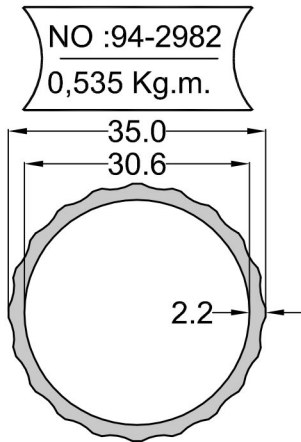
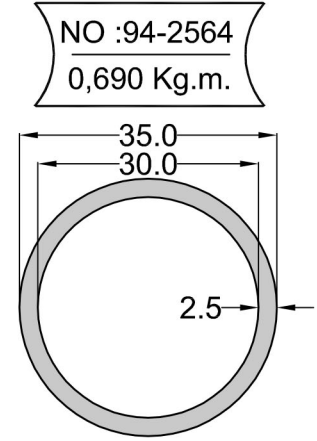
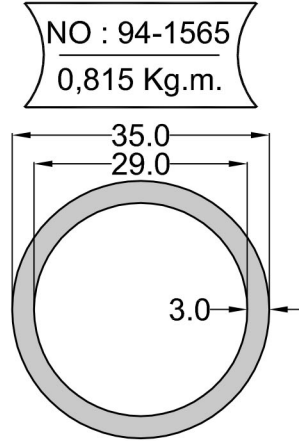
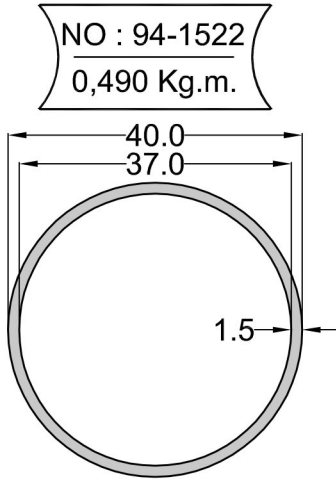
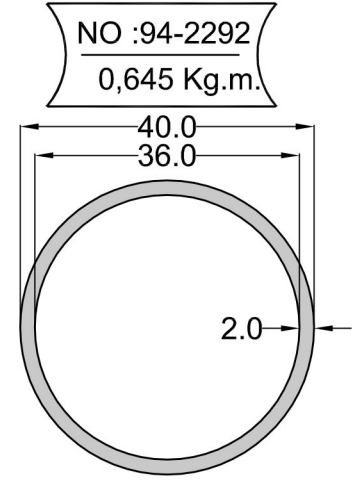
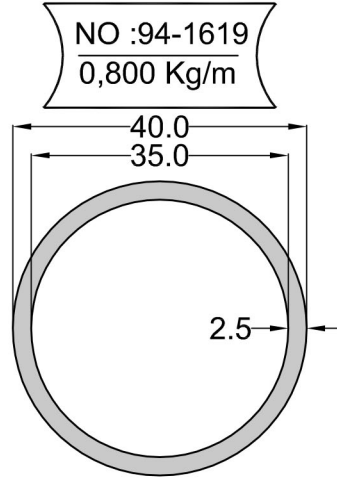
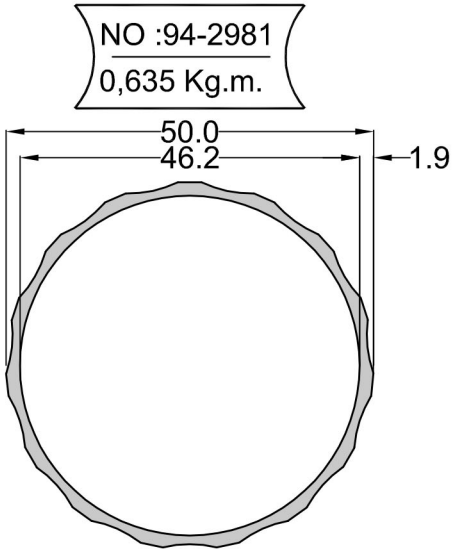
1,000 Kg.m.



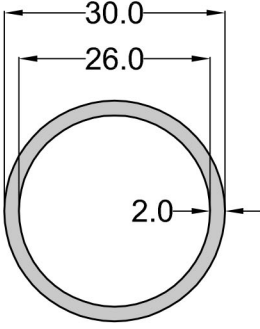
NO :94-2671

0,830 Kg.m.

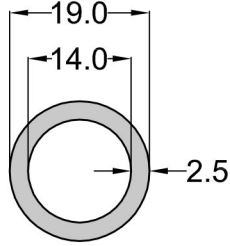




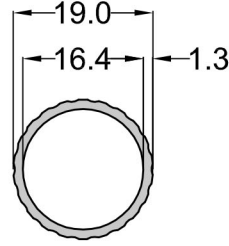
NO : 94-1418
0,475 Kg.m.



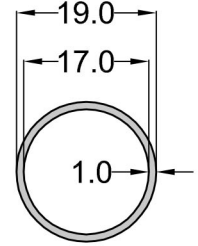
NO : 94-700
0,350 Kg.m.



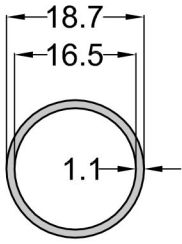
NO : 94-2983
0,185 Kg.m.



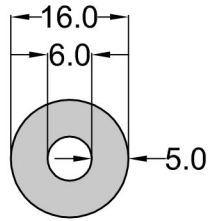
NO : 94-842
0,155 Kg.m.



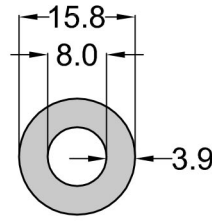
NO : 94-2267
0,165 Kg.m.



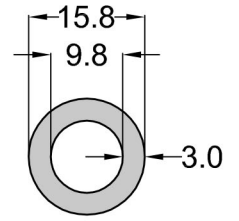
NO : 94-376
0,470 Kg.m.



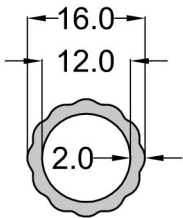
NO : 94-1785
0,395 Kg.m.



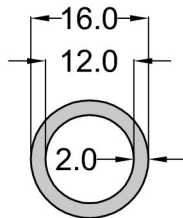
NO : 94-2286
0,325 Kg.m.



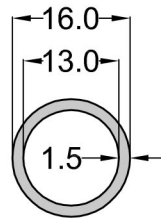
NO : 94-2670
0,210 Kg.m.



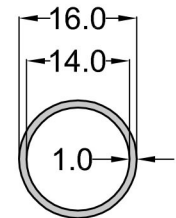
NO : 94-233
0,240 Kg.m.



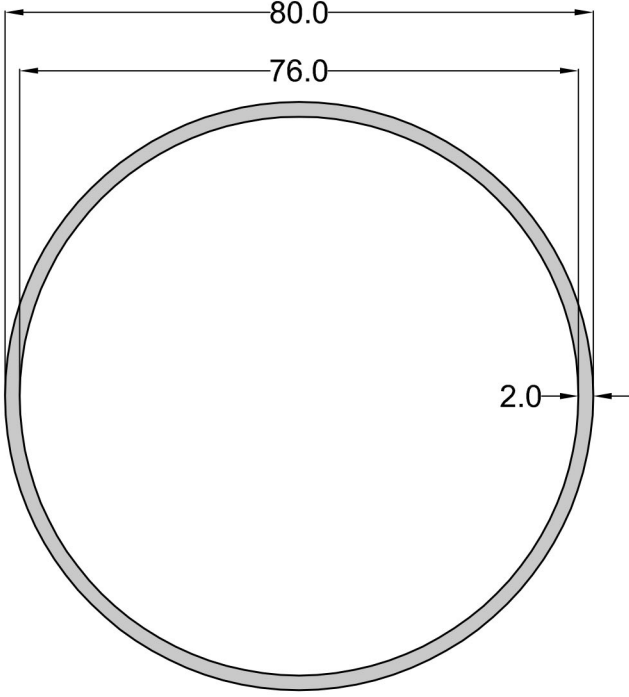
NO : 94-2565
0,185 Kg.m.



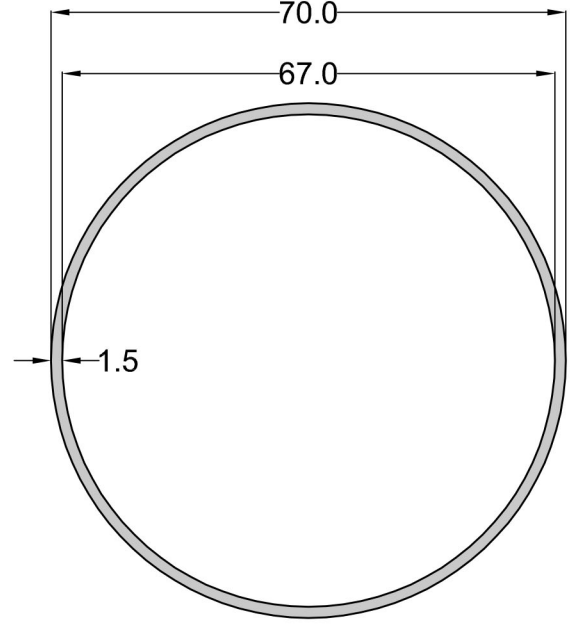
NO : 94-360
0,130 Kg.m.



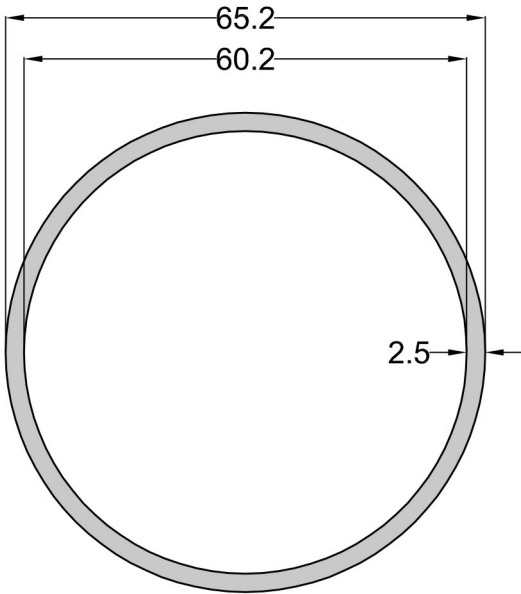
NO :94-2049
1,325 Kg.m.



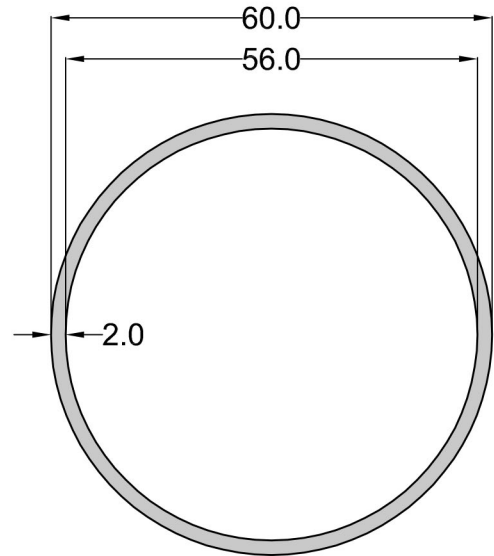
NO : 94-56
0.870 Kg.m.



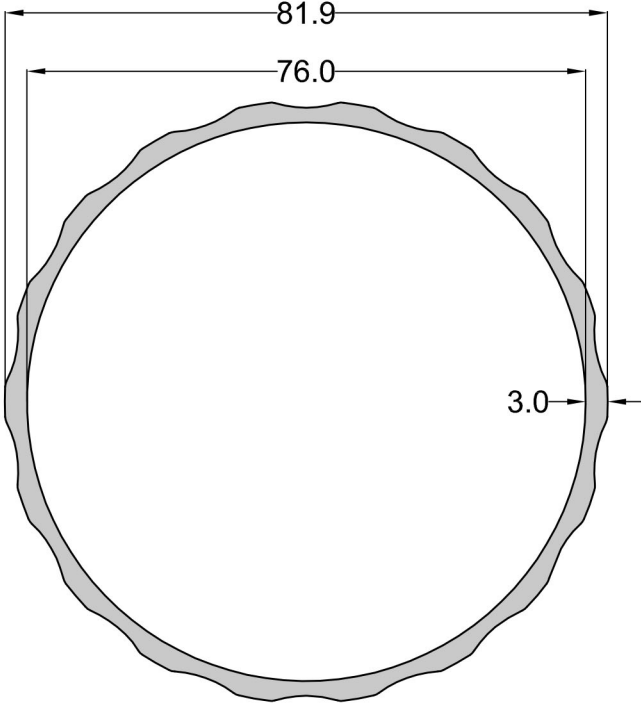
NO :94-2304
1,330 Kg.m.



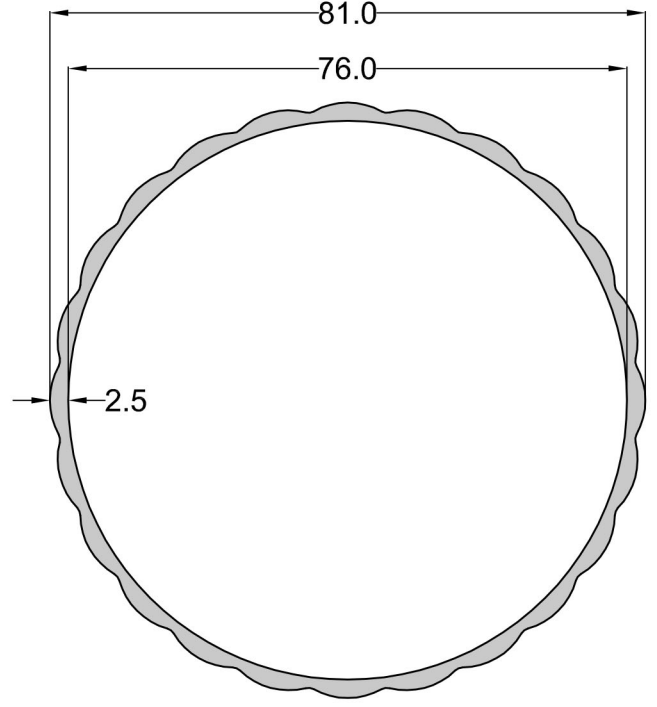
NO : 94-1246
0,980 Kg.m.



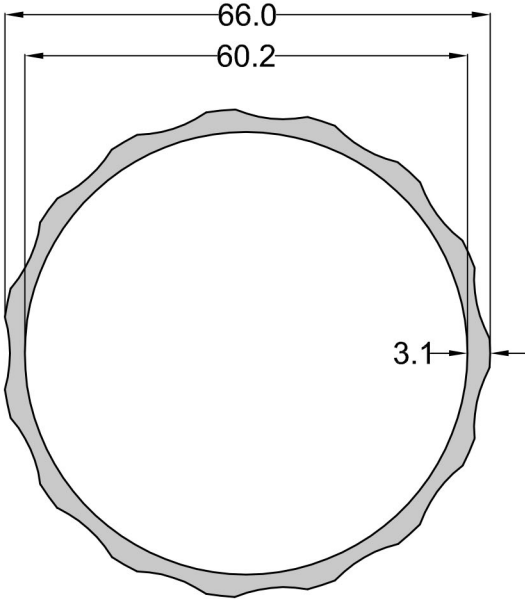
NO :94-2241
1,685 Kg.m.



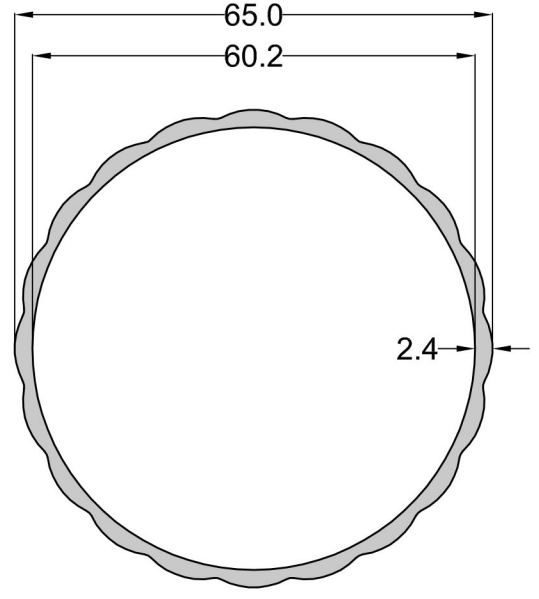
NO :94-2439
1,410 Kg.m.



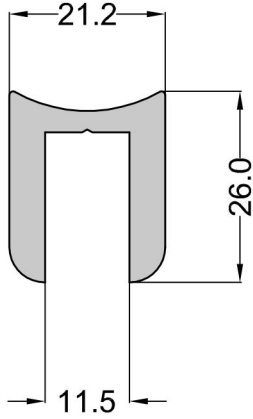
NO : 94-1816
1,370 Kg.m.



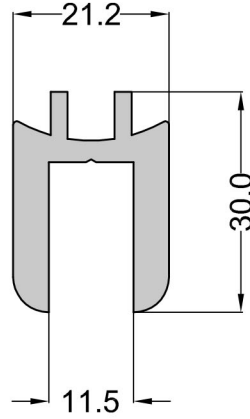
NO :94-2438
1,100 Kg.m.



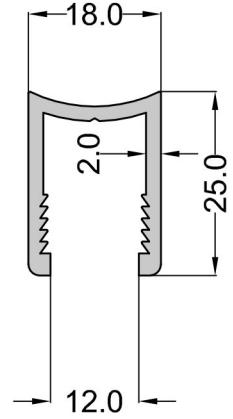
NO :94-2266
0,730 Kg.m.



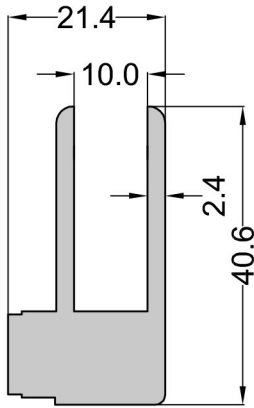
NO :94-2318
0,810 Kg.m.



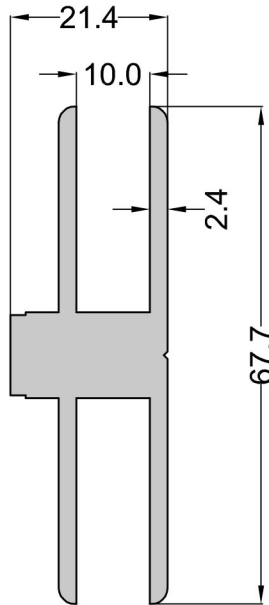
NO :94-2584
0,360 Kg.m.



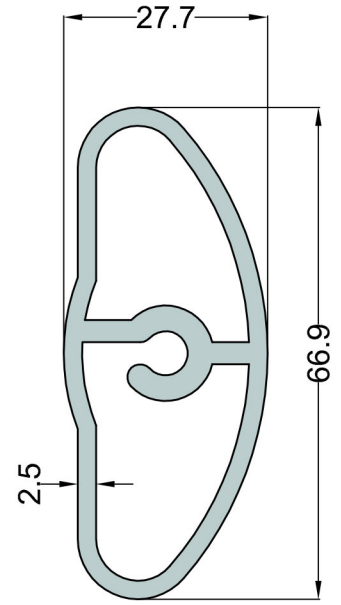
NO :94-2503
1,070 Kg.m.



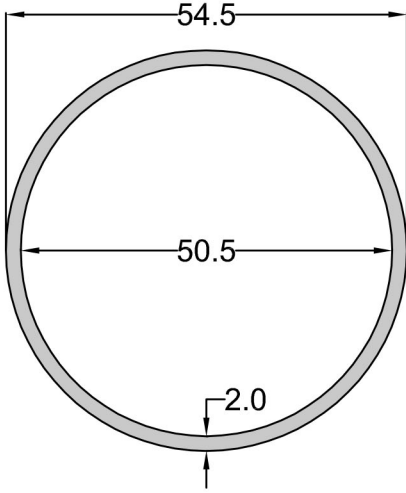
NO :94-2504
1,415 Kg.m.



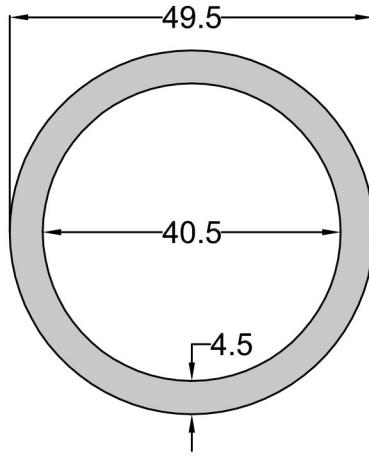
NO :94-2762
1,340 Kg.m.



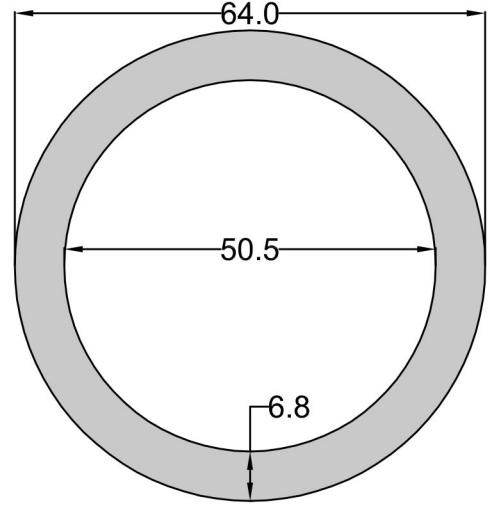
NO :94-2319
0,890 Kg.m.



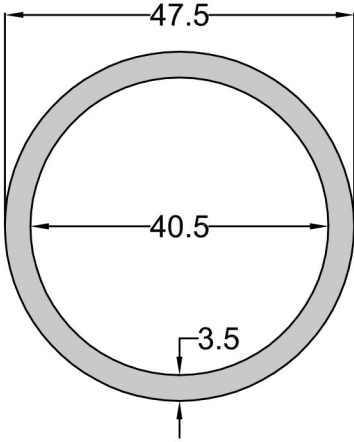
NO :94-2425
1,740 Kg.m.



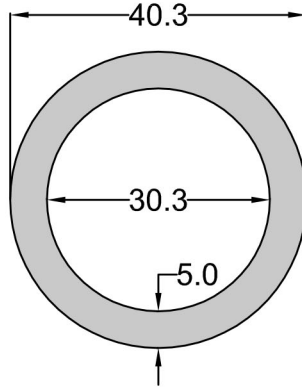
NO :94-2003
3,280 Kg.m.



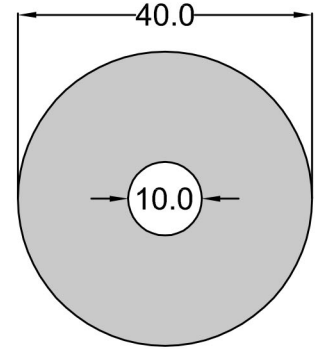
NO :94-2424
1,320 Kg.m.



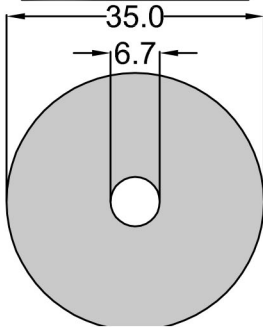
NO :94-1860
1,500 Kg.m.



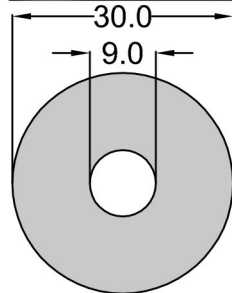
NO :94-1963
3,180 Kg.m.



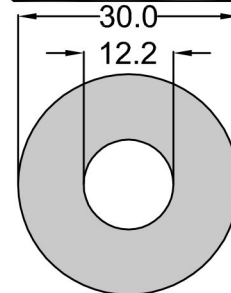
NO :94-2237
2,500 Kg.m.



NO :94-1861
1,740Kg.m.



NO : 94-1497
1,590 Kg.m.



NO :94-2107
4,220 Kg.m.

